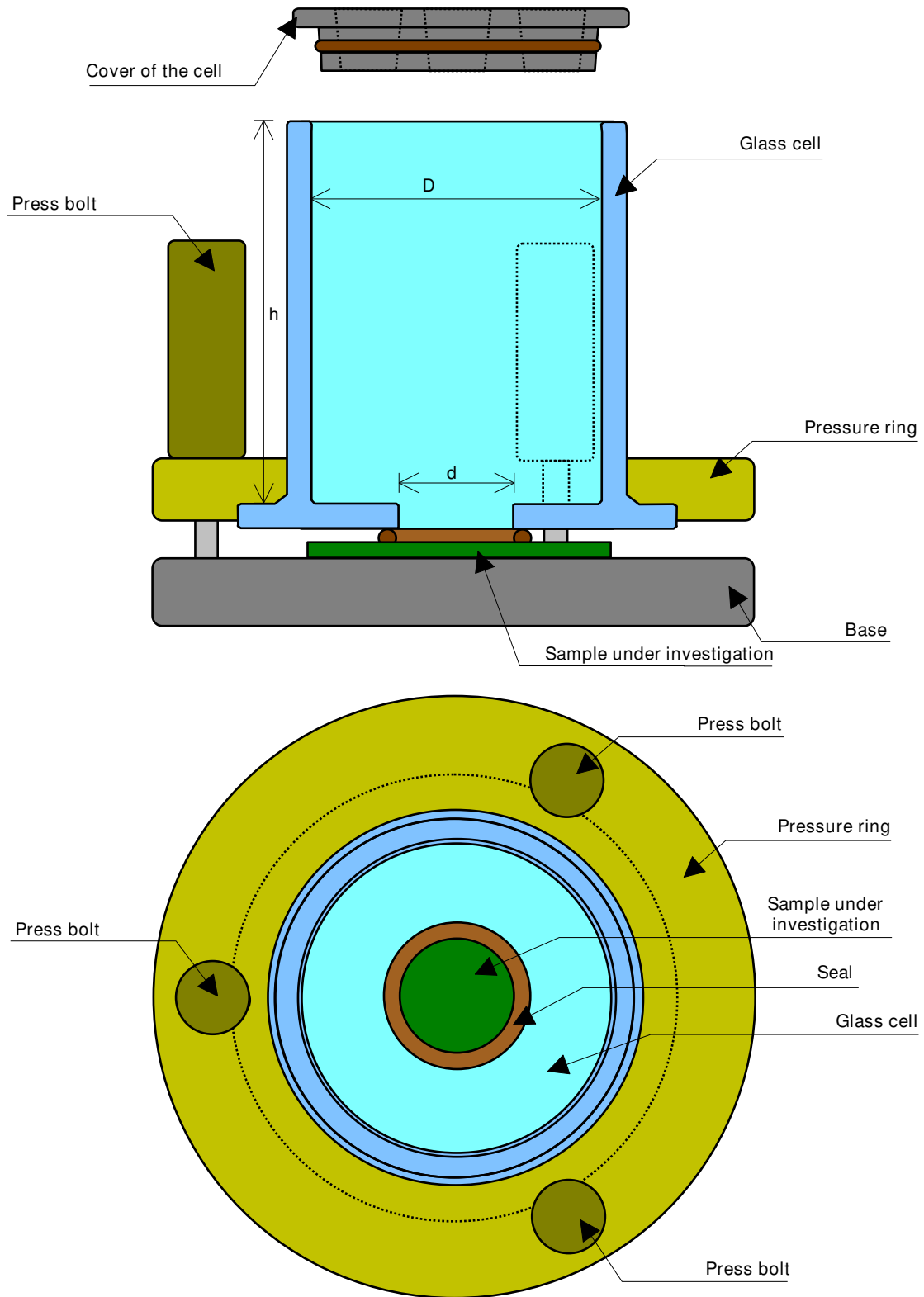


# Electrochemical glass cells NSD50/17/60 & NSD50/23/80



NSD50/17/60 & NSD50/23/80 electrochemical glass cell  
The way of sample fixing: at bottom of the cell

NSD50/17/60 cell dimensions:  $D = 50$  mm,  $d = 17$  mm,  $h = 60$  mm  
NSD50/23/80 cell dimensions:  $D = 50$  mm,  $d = 23$  mm,  $h = 80$  mm